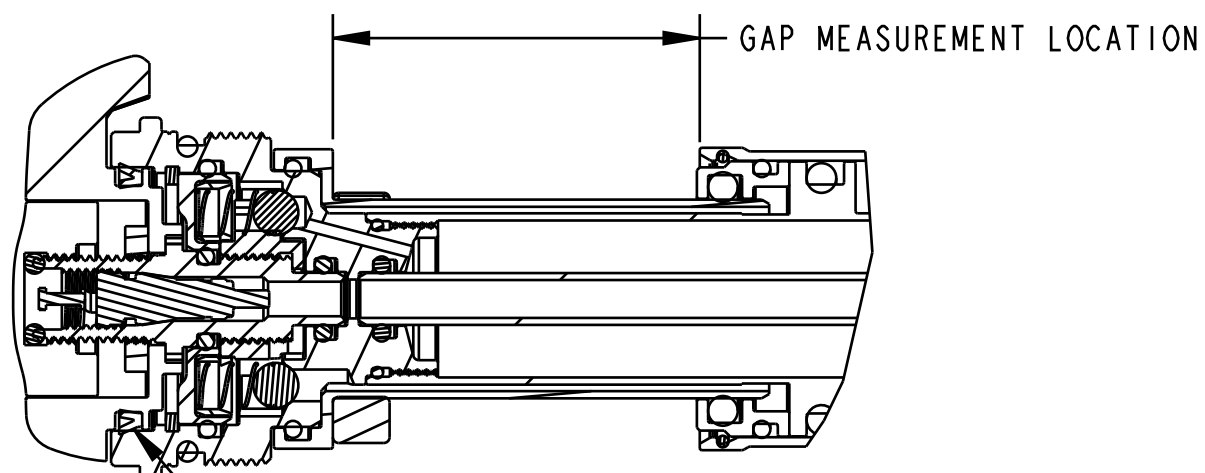
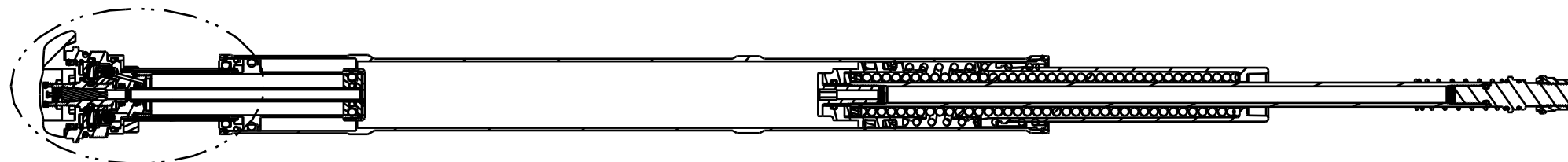


4

3

2

1



IMPORTANT:
NOTE ORIENTATION
OF U-CUP SEAL

REFERENCE ONLY
(FOR INSTALLATION
INTO FORK)

TORQUE:
50±5 IN.LB.

234-04-593
Neg Plate, TALAS 5

OIL:
LIGHTLY COAT OD OF SPRINGS
WITH FLOAT FLUID

038-01-060

Retaining Ring: Wire [0.950 OD x 0.040 CS]

241-01-002

Fastener, Custom: Crush Washer, Plastic, R_RL_RLC

241-00-005

Fastener, Custom: Nut, Bottom, R_RL_RLC

Travel Adjust Spacer, TALAS 5

REFERENCE ONLY
(FOR INSTALLATION
INTO FORK)

TORQUE:
220±5 IN.LB.

GREASE:
THIN LAYER
OF SLICK HONEY

TORQUE:
40±5 IN.LB.

TORQUE:
25±5 IN.LB.

029-08-060

Seals: O-Ring [6.0mm ID x 1.5mm CS] Metric, N-70, Static

010-00-050

Air Valve Parts: Tank Valve [5/16-32] w/O-ring Boss

GREASE:
THIN LAYER
OF SLICK HONEY

036-01-043

Seals: U-Cup, Shore 70A, 2013 Fit-CTD and CTD-ADJ

LEVER 234-04-423

234-04-424
Air Cap, TALAS 5

241-00-009
NUT, 5/16-32

029-03-008
O-Ring (-008) [.070 C.S. X .176 ID]

TOPCAP ASSEMBLY 820-05-261-KIT

CARTRIDGE TUBE 234-34-691

AIR SHAFT ASSEMBLY

PROPRIETARY
THIS DOCUMENT CONTAINS CONFIDENTIAL, PROPRIETARY INFORMATION
THAT IS FOX PROPERTY. DO NOT DISCLOSE TO OR DUPLICATE
FOR OTHERS EXCEPT AS AUTHORIZED BY FOX.

FOX FOX Factory, Inc. Ph 831-768-1100
130 Hangar Way, Watsonville, CA 95076 USA Fax 831-768-9312

TITLE
34mm 29in. TALAS 5, No XV Sleeve
Cartridge Assembly, Complete

SIZE DWG. NO.
C
PLOT SCALE 0.60:1 SHEET 1 OF 1

4

3

2

1

ProE ASSEM